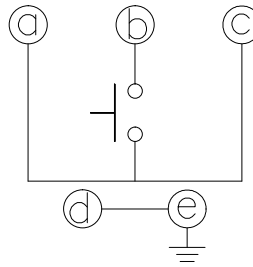
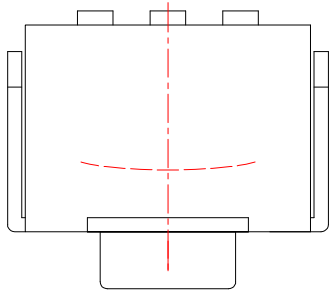


ROHS



Circuit Diagram

NOTES:

1.ELECTCAL CHARACTERISTICS:

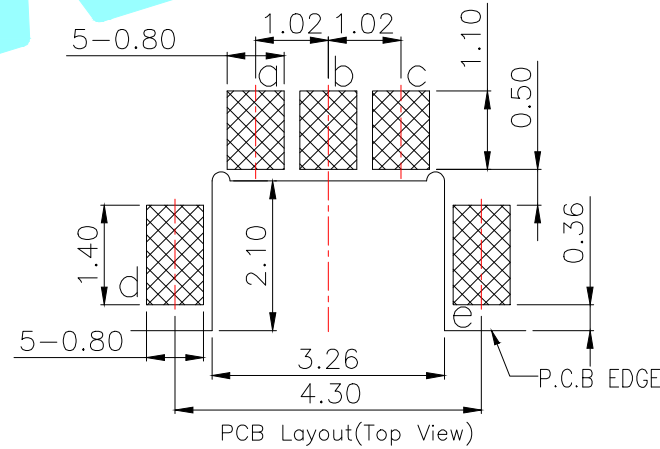
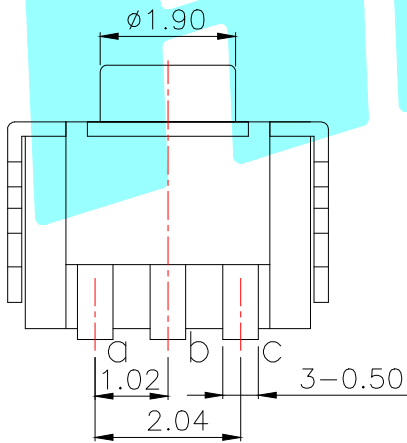
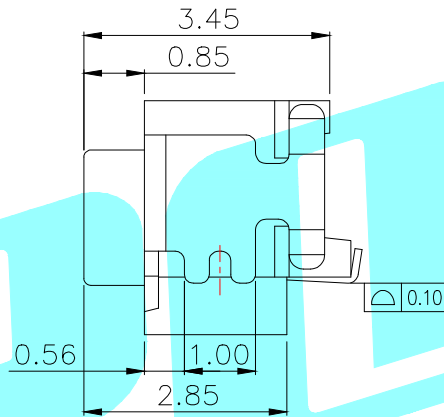
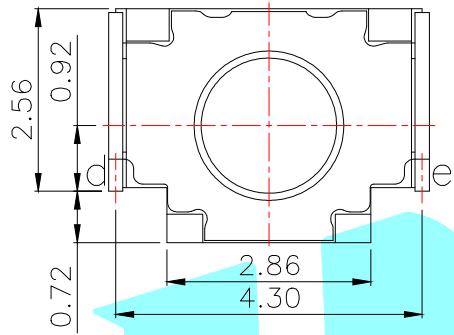
- 1-1.CONTACT CURRENT RATING: 50mA.
- 1-2.CONTACT VOLTAGE RATING: 12V. DC.
- 1-3.CONTACT RESISTANCE: 100mΩ MAX.
- 1-4.DIELECTRIC WITHSTANDING VOLTAGE: 250V. AC.
- 1-5.INSULATION RESISTANCE: 100 MΩ MIN.

2.MECHANICAL CHARACTERISTICS:

- 2-1.DURABILITY:100,000 CYCLES.
- 2-2.TRAVEL:0.45±0.20mm.

3.ENVIRENMENT CHARACTERISTICS:

- 3-1.OPERATING TEMPERATURE: -40°C~+85°C
- 3-2.HUMIDTY: 45-85% RH.



| NO.1 | |
|---------|--------|
| PART NO | vigor |
| 1 | 90±30 |
| 2 | 160±30 |

| NO.2-NO.3 | |
|-----------|---------------|
| PART NO | NOTE |
| 01~99 | SERIAL NUMBER |

| ITEM | PART NAME | TER'NO. | QTY. | MATERIAL | FINISHING | REMARK |
|------|-----------|---------|------|-----------------|----------------|--------|
| ⑤ | Terminal | — | 3 | Phosphor Bronze | Plating silver | — |
| ④ | Contact | — | 1 | SUS | Plating silver | — |
| ③ | Base | — | 1 | PPA | Black | — |
| ② | Cover | — | 1 | Phosphor Bronze | Plating silver | — |
| ① | Knob | — | 1 | Silica gel | Black | — |

| APPROVALS | | DATE | HRO 翰昂® ELECTRONICS CO.,LTD | | | |
|----------------|-------------------------------|----------------------------------|--------------------------------|------------|-------------------|--------------|
| DRAWN | LIUCAN | 2021.6.1 | TITLE: | | TACT SWITCHES | |
| CHECKED | | | PART NO. | | K2-1852SP-A□SW-□□ | |
| APPROVALS | | | UNIT: mm | SCALE: 1:1 | PROJ: | |
| TOLERANCES ARE | 30~以上 10~30 5~10 ~ 5 | ±0.30 ±0.20 ±0.15 ±0.10 | ANGLE | ±2' | DRAWING NO. | SHEET 1 OF 1 |

| ECN NO. | REV. | DATE. | DESCRIPTION. | CHANGE. | CHECK. | APPRO. |
|---------|------|-------|--------------|---------|--------|--------|
| | A | | NEW | | | |