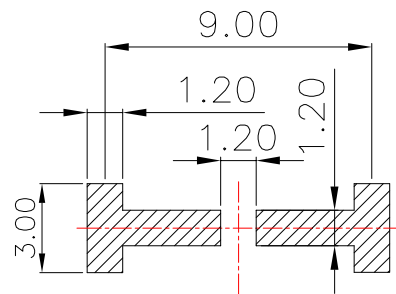
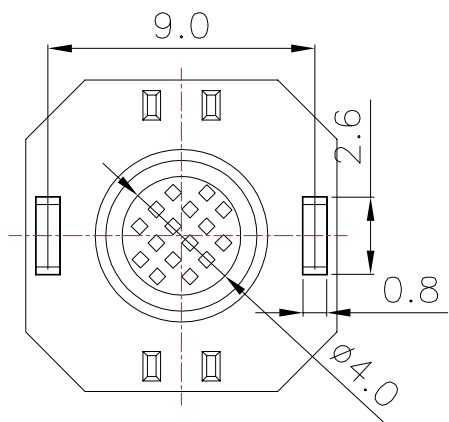
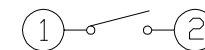


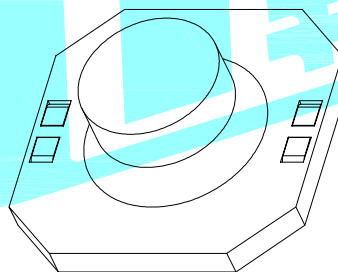
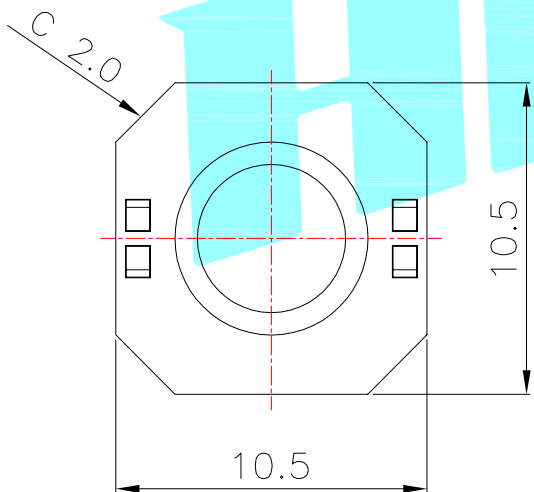
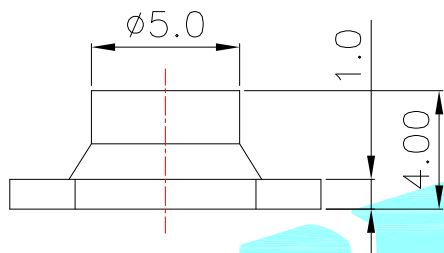
**ROHS**





PCB Layout(Pattern side)



Circuit Diagram



NOTE:  
 Forcel:  $130 \pm 30$ gf  
 Travel:  $1.0 \pm 0.2$ mm  
 Life: 2,000,000 Cycles

②	Terminal	—	2	Brass	Plating silver	—
①	Keystoke	—	1	Silica gel	Red	—
ITEM	PART NAME	TER'NO.	QTY.	MATERIAL	FINISHING	REMARK
APPROVALS			DATE	 ELECTRONICS CO.,LTD		
DRAWN	LIUCAN	2022.2.18	TITLE: TACT SWITCHES			
APPROVALS			PART NO. K2-8810SP			
TOLERANCES ARE		30~以上 10~30 5~10 ~ 5	±0.30 ±0.20 ±0.15 ±0.10	ANGLE ±2°	UNIT: mm SCALE: 1:1	PROJ: 
ECN NO.	REV.	DATE.	DESCRIPTION.	CHANGE.	CHECK.	APPRO.

_____	A	_____	NEW	_____	_____	_____
ECN NO.	REV.	DATE.	DESCRIPTION.	CHANGE.	CHECK.	APPRO.

