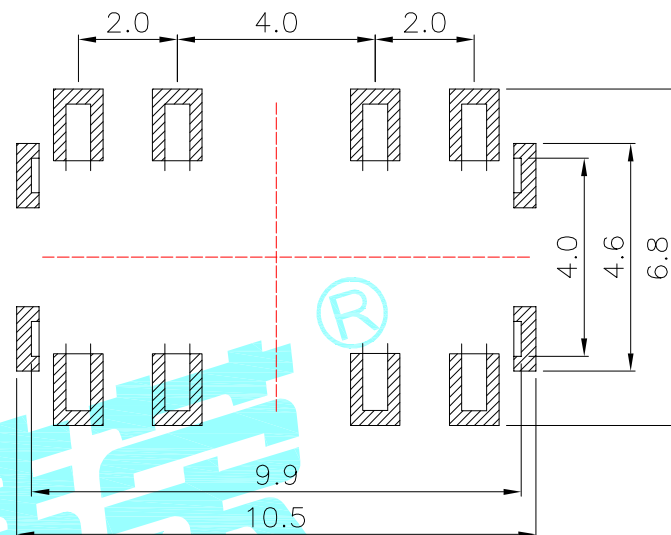
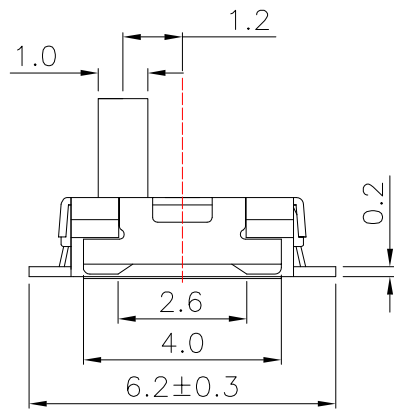
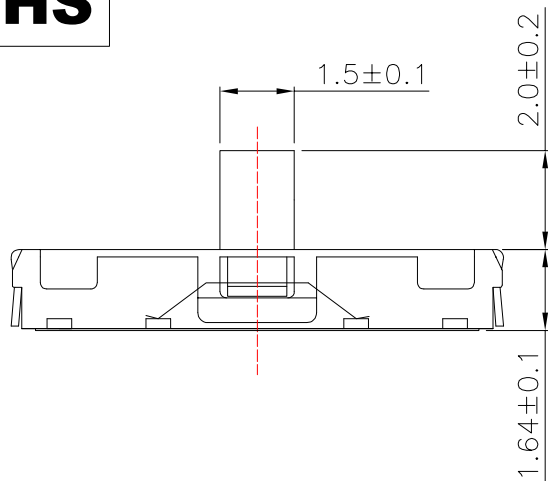
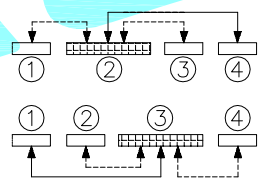
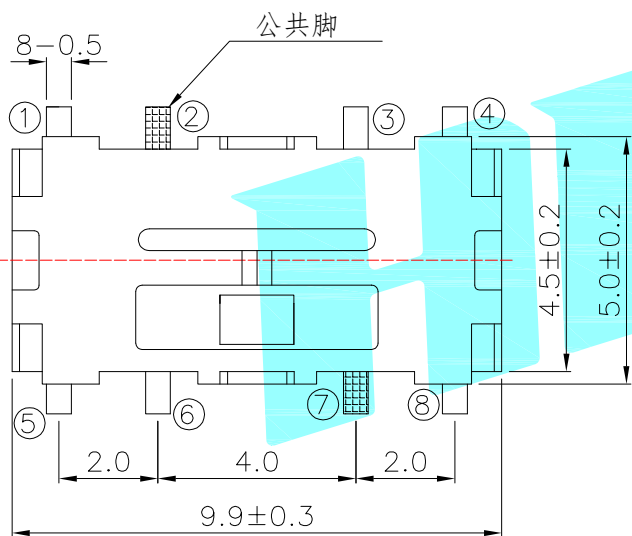


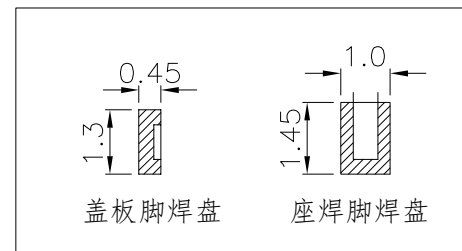
**ROHS**



PCB Layout(Pattern side)



Circuit Diagram



盖板脚焊盘

座焊脚焊盘

Note:  
Operating force: 200±80gf  
Travel: 1.5±0.2mm

⑤	Contact Spring	—	2	Phosphor bronze	Ag Plated	—
④	Terminal	—	8	Phosphor bronze	Ag Plated	—
③	Base	—	1	PA6T	Black	—
②	Cover	—	1	SUS	Ni Plated	—
①	KNOB	—	1	PA46	Black	—
ITEM	PART NAME	TER'NO.	QTY.	MATERIAL	FINISHING	REMARK

APPROVALS		DATE		 ELECTRONICS CO.,LTD			
DRAWN	LIUCAN	2021.11.23					
CHECKED							
APPROVALS				TITLE:	TOGGLE SWITCHES		
				PART NO.	K3-1005S-F1		
TOLERANCES ARE			30~以上	±0.30	ANGLE	UNIT: mm	
			10~30	±0.20			
			5~10	±0.15			
			~ 5	±0.10			
			±2'	DRAWING NO.	SCALE: 1:1	PROJ:	
ECN NO.	REV.	DATE.	DESCRIPTION.	CHANGE.	CHECK.	APPRO.	SHEET 1 OF 1

	A		NEW			
ECN NO.	REV.	DATE.	DESCRIPTION.	CHANGE.	CHECK.	APPRO.