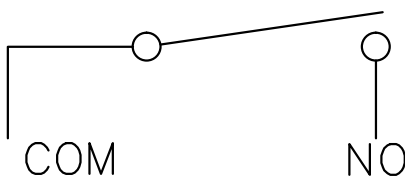
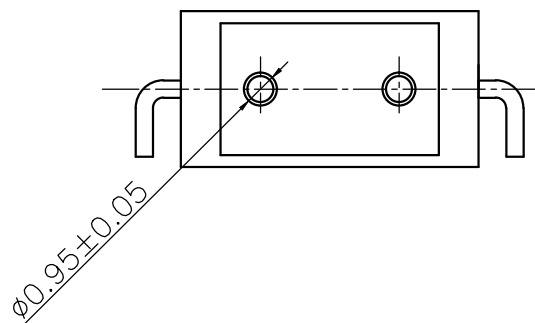
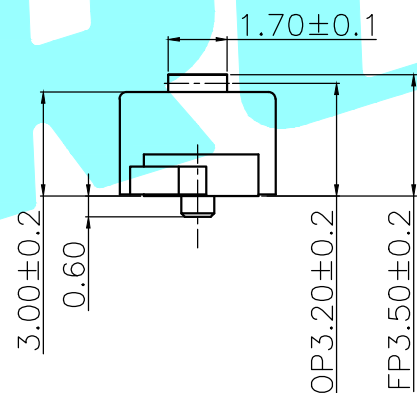
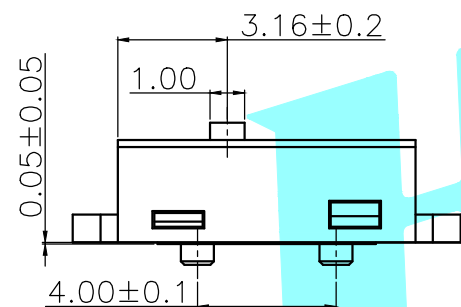
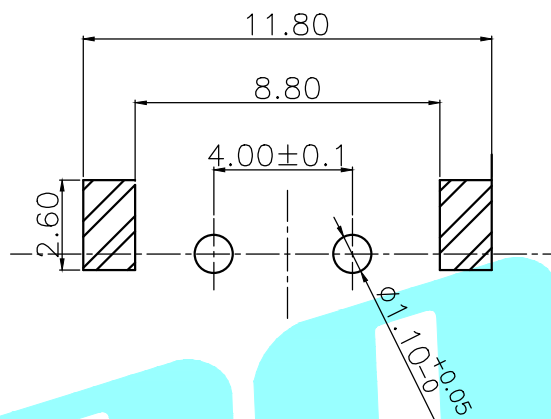
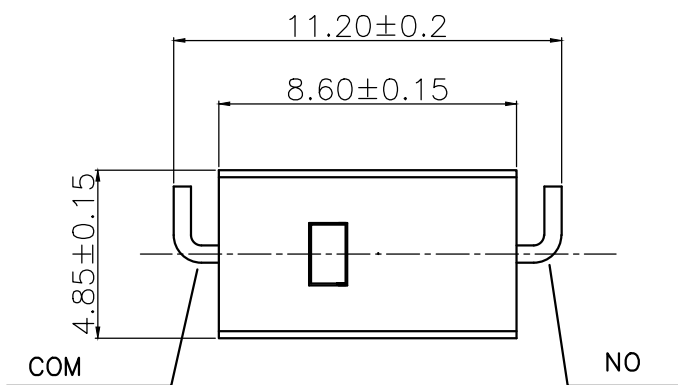


ROHS



NOTE:

1. Rating: DC 6V 1mA (Min load DC 3V 15uA).
2. Contact resistance: 100mΩ Max.
3. Insulation resistance: 100MΩ Min (at DC 500V)
4. Withstand voltage: AC 600V (50-60Hz) for 1 minute
5. OP: 3.2±0.2mm.
6. Return force: 15gf Min.
7. Mechanical Life: 5,000,000
8. Operating temperature: -25°C to 85°C

PART NO	vigor(gf)
K9-8601B-01	60±20
K9-8601B-02	90±20
K9-8601B-03	120±30

⑥	Knob	—	1	PPA	White	—
⑤	Cover	—	1	PPA	Black	—
④	Shrapnel	—	1	Copper alloy	Material	—
③	Contact	—	1	Silver alloy	Material	—
②	Housing	—	1	LCP	Black	—
①	Terminal	—	2	Brass	Plating silver	—
ITEM	PART NAME	TER'NO.	QTY.	MATERIAL	FINISHING	REMARK

APPROVALS		DATE		 ELECTRONICS CO.,LTD		
DRAWN	LIUCAN	2021.01.26				
CHECKED				PART NO.		
APPROVALS				UNIT: mm	SCALE: 1:1	PROJ:
TOLERANCES ARE		30~以上	±0.30	ANGLE	DRAWING NO.	SHEET 1 OF 1
		10~30	±0.20			
		5~10	±0.15			
		~ 5	±0.10			

ECN NO.	REV.	DATE.	DESCRIPTION.	CHANGE.	CHECK.	APPRO.
—	A	—	NEW	—	—	—