

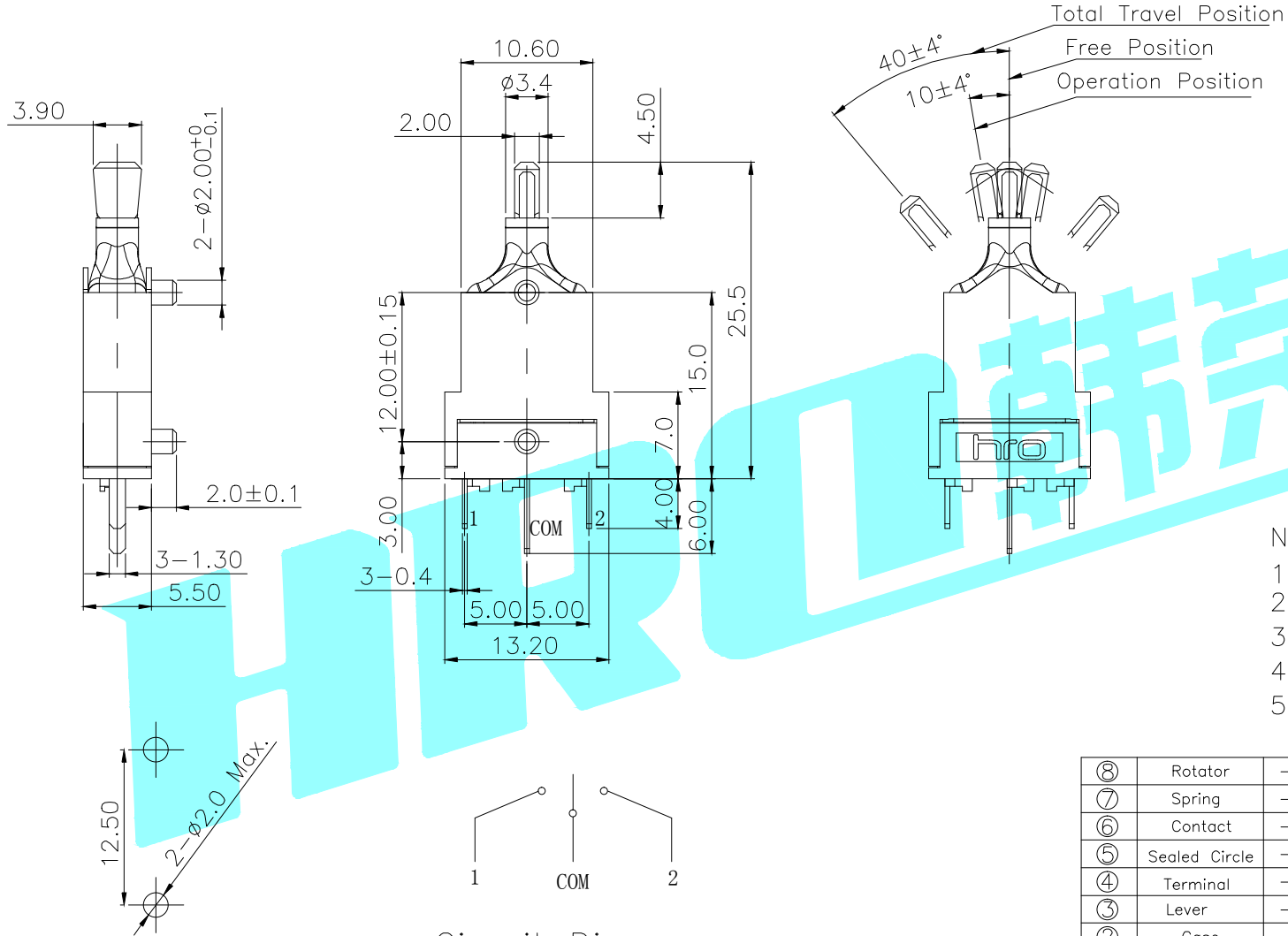
NOTE:

1. Rating 1: DC 12V 0.1A
2. Operating force: 200gf MAX
3. Operating Temp: -40 °C ~ +85 °C
4. Mechanical Life: 200,000
5. Ingress protection: IP67

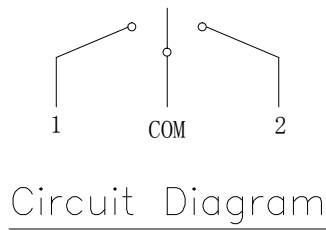
⑧	Rotator	—	1	POM	—	—
⑦	Spring	—	1	SUS	Plating silver	—
⑥	Contact	—	1	Cu Alloy	—	—
⑤	Sealed Circle	—	1	Silicone Rubber	—	—
④	Terminal	—	3	Cu Alloy	Plating silver	—
③	Lever	—	1	POM	Black	—
②	Case	—	1	PA	Black	—
①	Cover	—	1	PA	Black	—
ITEM	PART NAME	TER'NO.	QTY.	MATERIAL	FINISHING	REMARK

APPROVALS		DATE		 ELECTRONICS CO.,LTD		
DRAWN	LIUCAN	2021.03.30				
APPROVALS				PART NO.	K9-1268-01	
TOLERANCES ARE			30~以上	±0.30	ANGLE	UNIT: mm
			10~30	±0.20		
			5~10	±0.15	±2'	SCALE: 1:1
			~ 5	±0.10		
				DRAWING NO.	PROJ:	
				SHEET 1 OF 1		

_____	A	_____	NEW	_____	_____	_____
ECN NO.	REV.	DATE.	DESCRIPTION.	CHANGE.	CHECK.	APPRO.



- NOTE:
- 1.Rating1:DC12V 0.1A
 - 2.Operating proce:200gf MAX
 - 3.Operating Temp:-40 °C ~+85 °C
 - 4.Mechanical Life:200,000
 - 5.Ingress protection:IP67



⑧	Rotator	—	1	POM	—	—
⑦	Spring	—	1	SUS	Plating silver	—
⑥	Contact	—	1	Cu Alloy	—	—
⑤	Sealed Circle	—	1	Silicone Rubber	—	—
④	Terminal	—	3	Cu Alloy	Plating silver	—
③	Lever	—	1	POM	Black	—
②	Case	—	1	PA	Black	—
①	Cover	—	1	PA	Black	—
ITEM	PART NAME	TER'NO.	QTY.	MATERIAL	FINISHING	REMARK

APPROVALS		DATE		 ELECTRONICS CO.,LTD			
DRAWN	LIUCAN	2021.03.30					
CHECKED				TITLE:	MICRO SWITCHS		
APPROVALS				PART NO.	K9-1268-02		
TOLERANCES ARE			30~以上	±0.30	ANGLE	UNIT: mm	
			10~30	±0.20			
			5~10	±0.15			
			~ 5	±0.10			
		±2°	DRAWING NO.	SCALE: 1:1	PROJ:		
ECN NO.	REV.	DATE.	DESCRIPTION.	CHANGE.	CHECK.	APPRO.	SHEET 1 OF 1

_____	A	_____	NEW	_____	_____	_____
ECN NO.	REV.	DATE.	DESCRIPTION.	CHANGE.	CHECK.	APPRO.