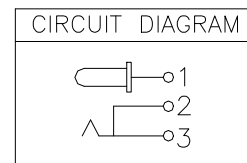
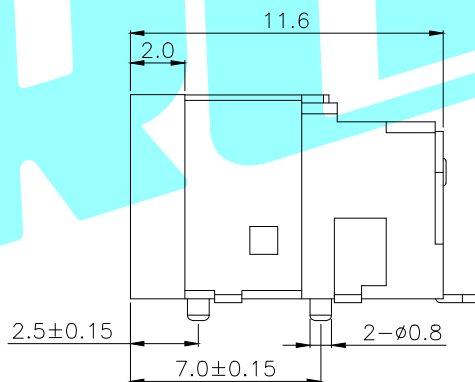
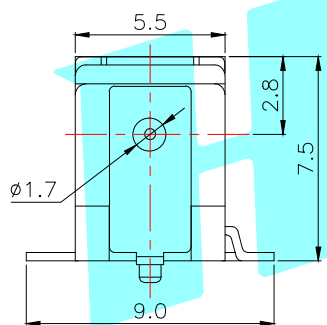


P.C.B. LAYOUT(Copper-side view)



Model No.	DC-002A-10A	DC-002A-13A	DC-002A-165A
PIN	φ1.0	φ1.3	φ1.65

Rating:0.5A 30V DC
 Contact Resistance:100 mΩ Max.
 Operating temperature:-20℃~70℃
 Operating force:3-20N
 Operating Life:5,000cycles

②	Terminal	5	Phosphor bronze/Brass/Ag/Sn Plating				
①	Housing	1	PPA	Black			
ITEM	PART NAME	TER'NO.	QTY.	MATERIAL	FINISHING	REMARK	
APPROVALS			DATE	 ELECTRONICS CO.,LTD			
DRAWN	LIUCAN	2021.8.11					TITLE:
APPROVALS				PART NO.	DC-002A		
TOLERANCES ARE		30~以上	±0.30	ANGLE	UNIT: mm	SCALE: 1:1	
		10~30	±0.20				
		5~10	±0.15				
		~ 5	±0.10	±2'	DRAWING NO.		PROJ:

ECN NO.	REV.	DATE.	DESCRIPTION.	CHANGE.	CHECK.	APPRO.
	A		NEW			