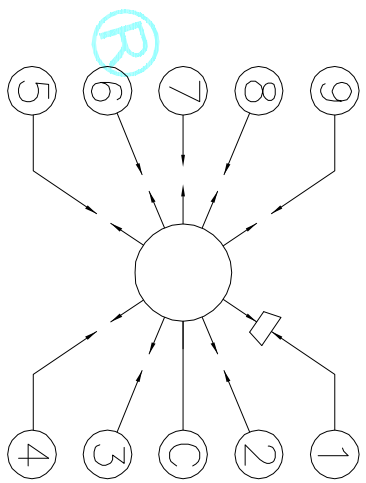
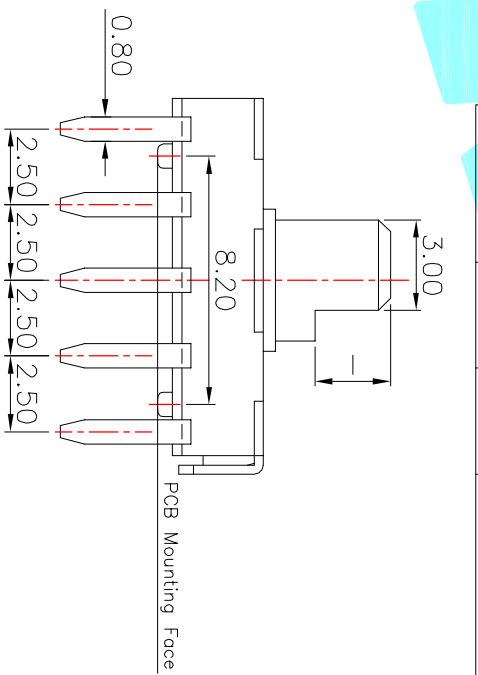
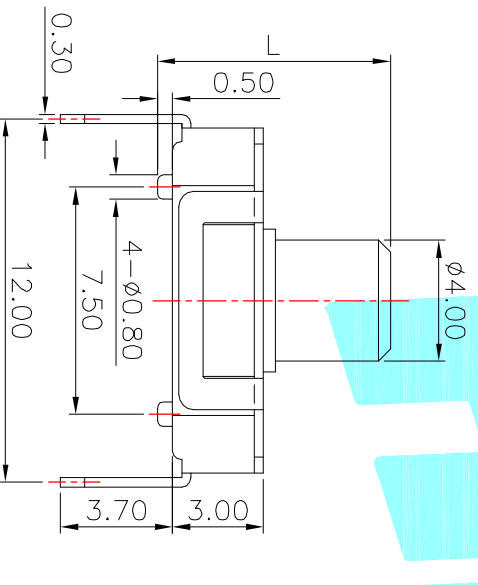
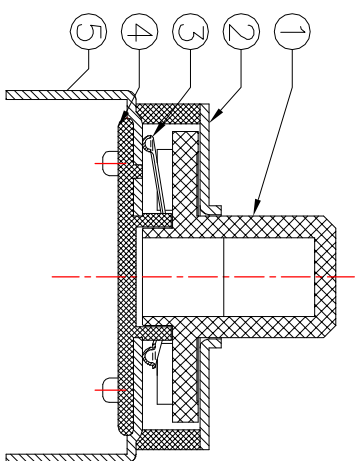


MODEL	L	l	Operating Force
1521DA-01	7.7mm	2.5mm	100±50gf
1521DA-02	9.8mm	4.1mm	
1521DA-03	7.7mm	2.5mm	200±60gf
1521DA-04	9.8mm	4.1mm	



Circuit Diagram



Product Structure Diagram

ITEM	PART NAME	TER'NO.	QTY.	MATERIAL	FINISHING	REMARK
⑤	Terminal	—	10	Brass(0.15t)	Plating silver	—
④	Base	—	1	Nylon	Black	—
③	Contact	—	1	SUS	Plating silver	—
②	Cover	—	1	SUS	Natural	—
①	Keystroke	—	1	Nylon	Black	—

APPROVALS	DATE
DRAWN J.X.Zhang	2013/8/19

ECN NO.	REV.	DATE.	DESCRIPTION.	CHANGE.	CHECK.	APPRO.
	A		NEW			

APPROVALS		TITLE:		PART NO.		SCALE:		PROJ.:	
CHECKED		MULTIFUNCTIONAL SWITCHS		K1-1521DA-00		1:1		PROJ.:	
APPROVALS		ELECTRONICS CO.,LTD						SHEET 1 OF 1	
TOLERANCES ARE		30~ø12 ±		±0.30		ANGLE		DRAWING NO.	
10~30		±0.20		±2'					
5~10		±0.15							
~5		±0.10							