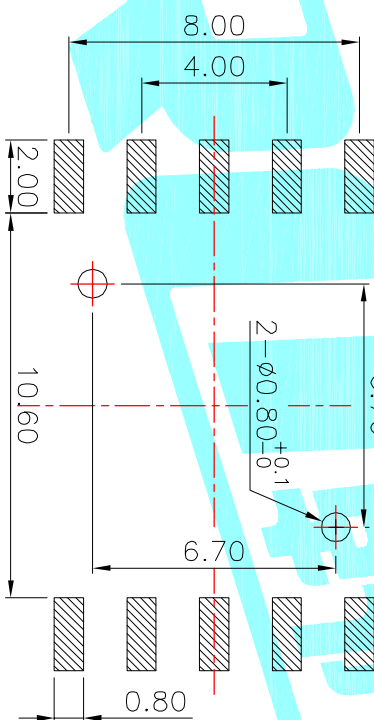
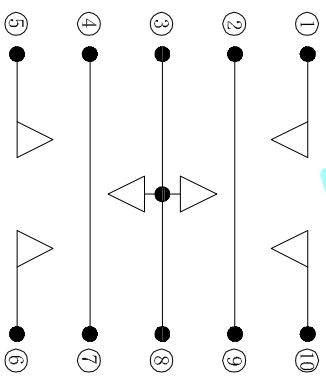


PCB Layout(Pattern side)



NOTE:
Operating Force:
lever portion 4-180 ± 50 gf
Push portion 250 ± 50 gf

Circuit Diagram



	1	2	3	4	5	6	7	8	9	10
F1	○	○							○	
F2				○	○					
F3				○	○					
F4		○							○	
F5										

⑥	Contact	—	6	F Ag/SUS	Natural	—
⑤	Terminal	—	10	Brass(Q.20)	Plating silver	—
④	Base	—	1	LCP	Black	—
③	Cover	—	1	SUS	Natural	—
②	Axle sleeve	—	1	LCP	Black	—
①	Keystone	—	1	LCP	Black	—

APPROVALS		DATE	REMARK
DRAWN	J.X.Zhang	2013/8/22	
CHECKED			
APPROVALS			
TOLERANCES ARE			
30~12.5	±0.30	ANGLE	
10~30	±0.20	UNIT: mm	
5~10	±0.15	SCALE: 1:1	
~5	±0.10	DRAWING NO.	

ECN NO.	REV.	DATE.	DESCRIPTION.	CHANGE.	CHECK.	APPRO.
	A		NEW			
ELECTRONICS CO.,LTD						
MULTIFUNCTIONAL SWITCHES						
K1-1507SA-02						
PROJ: 1000000000						
SHEET 1 OF 1						