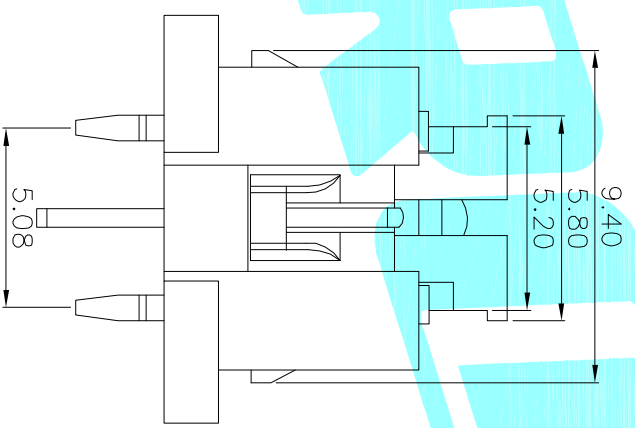
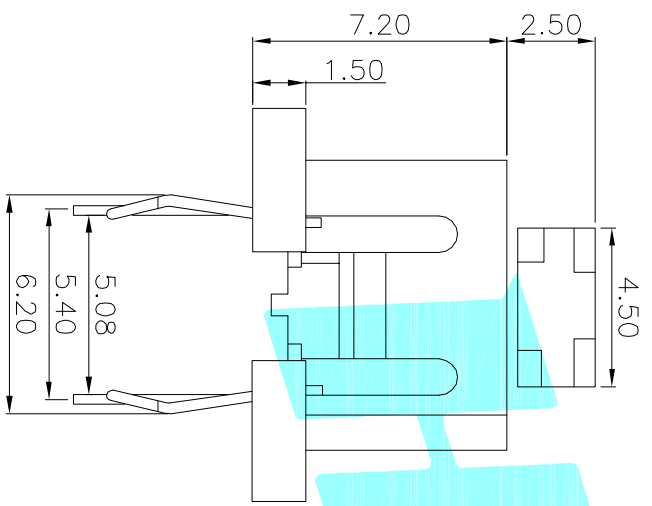
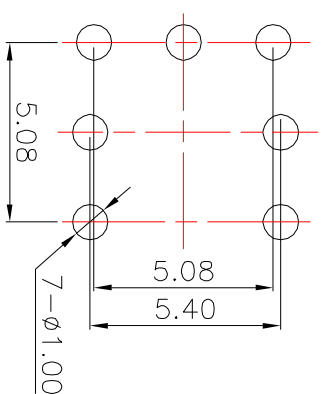


Circuit Diagram

LED colour(LED颜色)	Part No. (料号)
Whiter(白色)	K6-6153D01
Red(红色)	K6-6153D02
Blue(蓝色)	K6-6153D03
Green(绿色)	K6-6153D04

PCBLayout(Pattern Side)



② Terminal	—	3	Phosphor bronze Au Plating
① Housing	—	1	Nylon Black
ITEM PART NAME	TERN.O. QTY.	MATERIAL	FINISHING
APPROVALS	DATE	REMARK	
DRAWN J.X.Zhang	2013/11/11	ELECTRONICS CO.,LTD	
CHECKED		TITLE: LED Tact Switch	
APPROVALS		PART NO. K6-6153D	
TOLERANCES ARE	30~12.5 ±0.30	ANGLE	
	10~30 ±0.20	UNIT: mm	SCALE: 1:1
	5~10 ±0.15	DRAWING NO.	PROJ: ①
	~5 ±0.10		SHEET 1 OF 1

ECN NO.	REV.	DATE.	DESCRIPTION.	CHANGE.	CHECK.	APPRO.
	A		NEW			