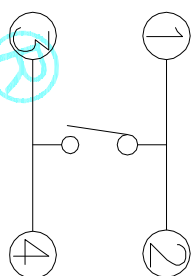
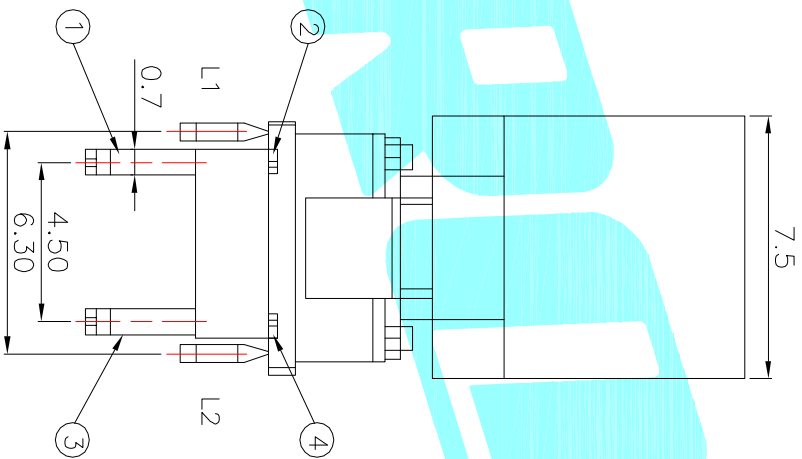
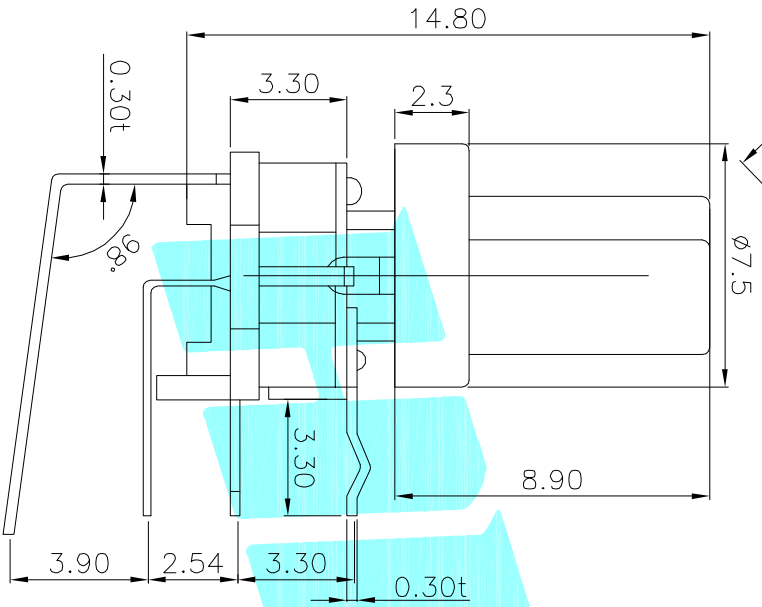
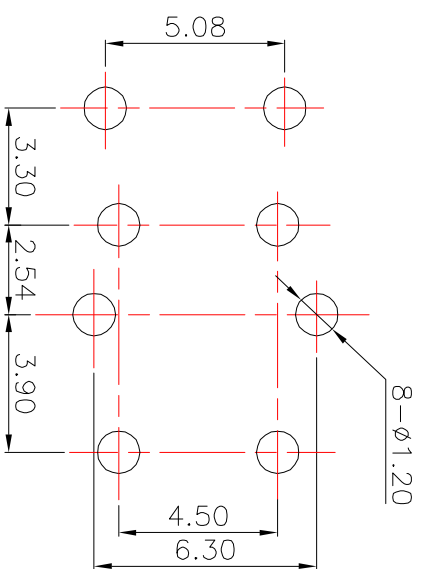


LED colour(LED颜色)	Part No. (料号)
Whiter(白色)	K6-6152F01
Red(红色)	K6-6152F02
Blue(蓝色)	K6-6152F03
Green(绿色)	K6-6152F04



Circuit Diagram



PCBLayout(Pattern Side)

② Terminal	3	Phosphor bronze	Au Plating
① Housing	1	Nylon	Black
ITEM PART NAME	TERN.O.	QTY.	MATERIAL FINISHING
APPROVALS		DATE	REMARK

DRAWN	J.X.Zhong	DATE	2013/11/11
CHECKED		TITLE:	LED Tact Switch
APPROVALS		PART NO.	K6-6152F

ECN NO.	REV.	DATE.	DESCRIPTION.	CHANGE.	CHECK.	APPRO.
	A		NEW			
TOLERANCES ARE		30~12.5 ±0.30	ANGLE	±2°	DRAWING NO.	PROJ. SHEET 1 OF 1
		10~30 ±0.20	UNIT: mm	SCALE: 1:1		
		5~10 ±0.15				
		~5 ±0.10				