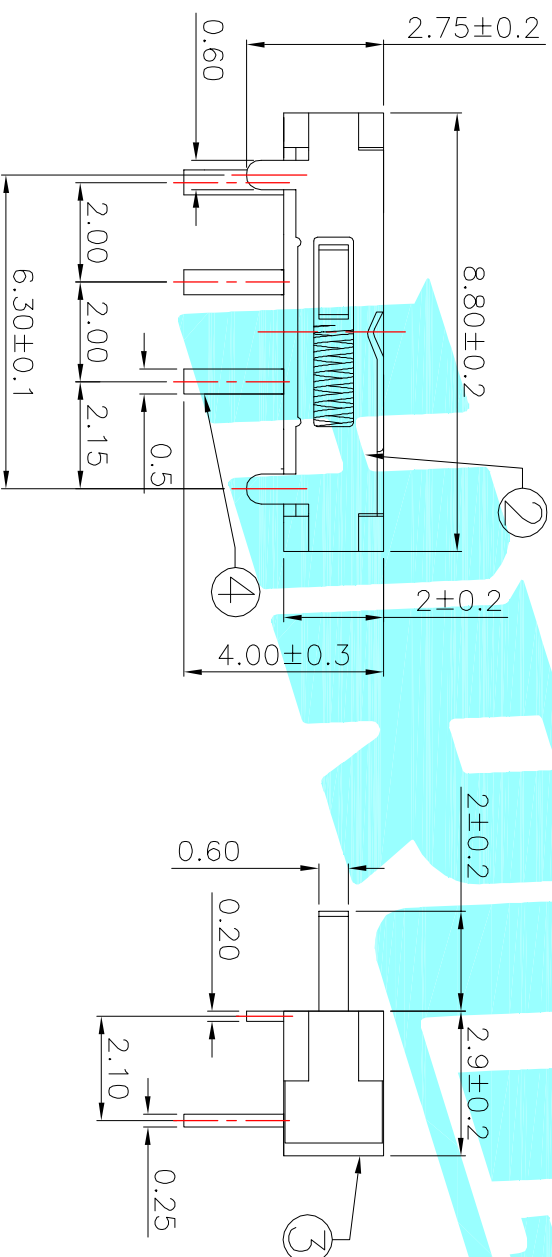


Circuit Diagram

PCB Layout (Pattern side)

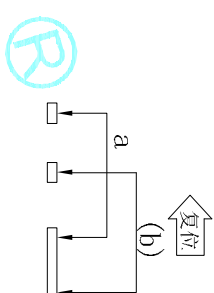
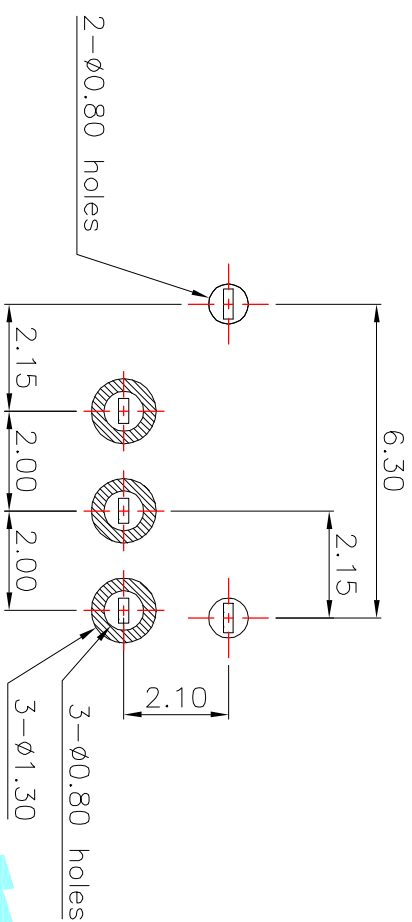
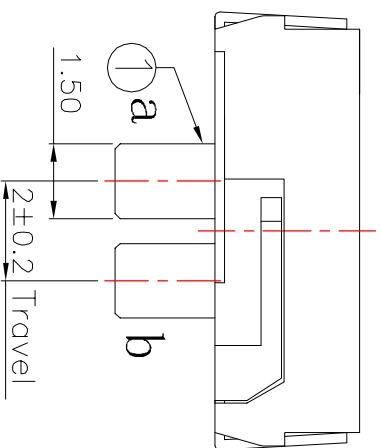


NOTE:  
Operating force: 150±100gf

⑤	Spring	—	1	SUS	Natural	—
⑤	Contact Spring	—	1	Beryllium copper	Ag Plated	—
④	Terminal	—	3	Brass Strip	Ag Plated	—
③	Base	—	1	NYLON	Black	—
②	Cover	—	1	SUS	Natural	—
①	Knob	—	1	NYLON	White	—
ITEM	PART NAME	TER'NO.	QTY.	MATERIAL	FINISHING	REMARK

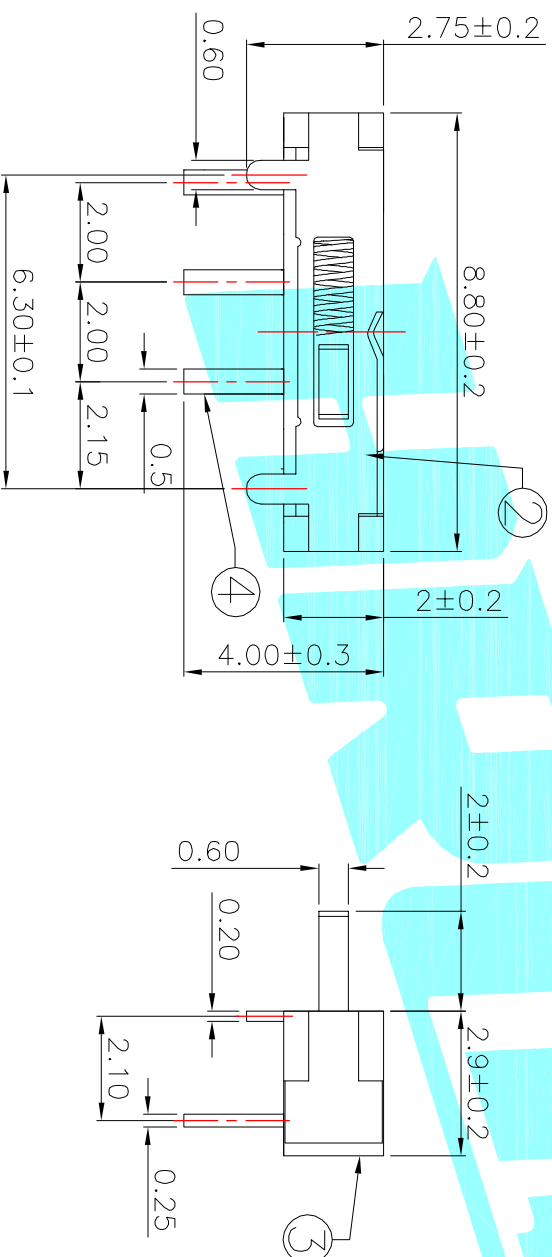
APPROVALS		DATE	TITLE:	
DRAWN	J.X.Zhang	2013/9/25	TOGGLE SWITCHES	
CHECKED			ELECTRONICS CO.,LTD	
APPROVALS			PART NO. K3-1286R-F2	

ECN NO.	REV.	DATE.	DESCRIPTION.	CHANGE.	CHECK.	APPRO.
	A		NEW			
TOLERANCES ARE			30~12.5 ±	±0.30	ANGLE	
			10~30	±0.20	UNIT: mm	SCALE: 1:1
			5~10	±0.15	DRAWING NO.	PROJ: 1 OF 1
			~5	±0.10		



Circuit Diagram

PCB Layout (Pattern side)



NOTE:

Operating force:  $150 \pm 100$ gf

⑤	Spring	—	1	SUS	Natural	—
⑤	Contact Spring	—	1	Beryllium copper	Ag Plated	—
④	Terminal	—	3	Brass Strip	Ag Plated	—
③	Base	—	1	NYLON	Black	—
②	Cover	—	1	SUS	Natural	—
①	Knob	—	1	NYLON	White	—
ITEM	PART NAME	TER'NO.	QTY.	MATERIAL	FINISHING	REMARK

APPROVALS		DATE	TITLE:	
DRAWN	J.X.Zhang	2013/9/25	TOGGLE SWITCHES	
CHECKED			ELECTRONICS CO.,LTD	
APPROVALS			HROE	
TOLERANCES ARE		30~12.5 ±	±0.30	ANGLE
	10~30	±0.20		UNIT: mm
	5~10	±0.15	±2'	SCALE: 1:1
	~5	±0.10		DRAWING NO.
PART NO.		K3-1286L-F2		
PROJECT		PROJ: 10		
SHEET		1 OF 1		

ECN NO.	REV.	DATE.	DESCRIPTION.	CHANGE.	CHECK.	APPRO.
	A		NEW			