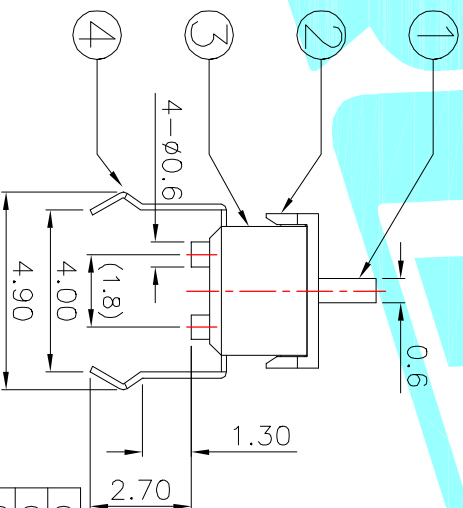
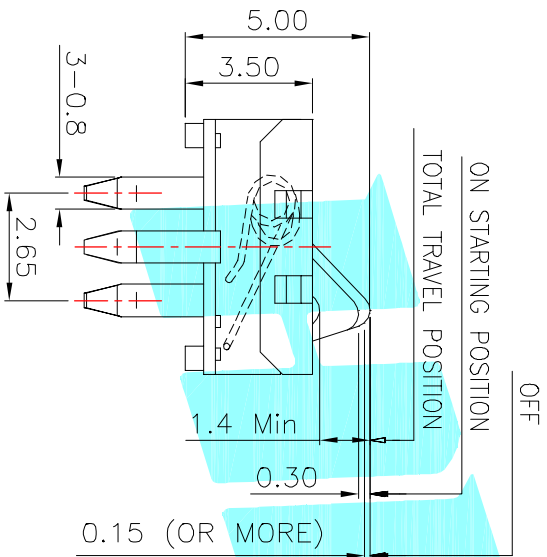


PCB Layout(Pattern side)

Circuit Diagram



NOTE:  
 Rating: DC 12V 50mA  
 Operating Force: 30±10gf  
 Lifetime: 100,000 Cycles

ITEM	PART NAME	TER'NO.	QTY.	MATERIAL	FINISHING	REMARK
⑤	Contact Spring	—	1	Phosphor Bronze	Ag Plated	—
④	Terminal	—	4	Phosphor Bronze	Ag Plated	—
③	Base	—	1	NYLON	Black	—
②	Cover	—	1	NYLON	Black	—
①	Slider	—	1	NYLON	White	—

APPROVALS		DATE
DRAWN	J.X.Zhang	2013/9/12

ECN NO.	REV.	DATE.	DESCRIPTION.	CHANGE.	CHECK.	APPRO.
—	A	—	NEW	—	—	—



ELECTRONICS CO.,LTD

TITLE: DETECTOR SWITCHS

PART NO. K5-1664DA-01

SCALE: 1:1

PROJ:

SHEET 1 OF 1