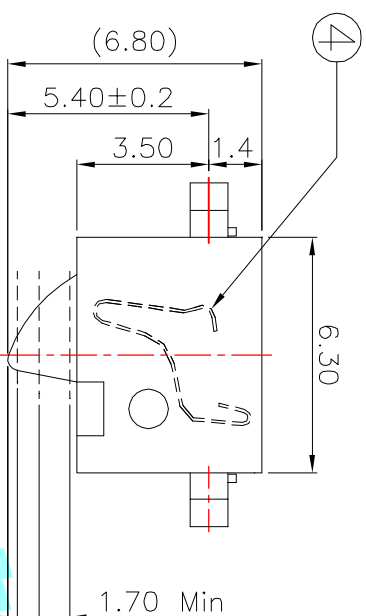


HOLE LAYOUT

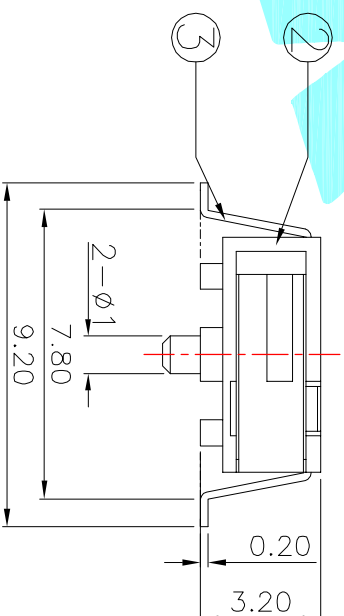
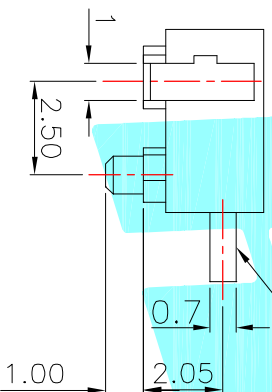


Total travel position

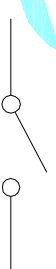
Measuring position On horizontal

On starting position

Operating direction



CIRCUIT DIRGRAM



NOTE:
 Rating: DC 12V 0.1A
 Operating Force: 20±10gf
 Lifetime: 50,000 Cycles

ITEM	PART NAME	TER'NO.	QTY.	MATERIAL	FINISHING	REMARK
④	Contact Spring	—	1	Phosphor Bronze	Ag Clad	—
③	Terminal	—	2	Brass	Ag Plated	—
②	Base	—	1	NYLON	Black	—
①	Slider	—	1	NYLON	Cream	—

APPROVALS

DRAWN J.X.Zhang 2013/9/18

CHECKED

APPROVALS

CHANGE

TOLERANCES ARE

±0.30

±0.20

±0.15

±0.10

±2'

±0.10

±0.10



ELECTRONICS CO.,LTD

TITLE: DETECTOR SWITCHS

PART NO. K5-1653SA-01

SCALE: 1:1

DRAWING NO.

ECN NO.	REV.	DATE.	DESCRIPTION.
—	A	—	NEW

CHANGE.	CHECK.	APPRO.
—	—	—

DATE	DESCRIPTION
—	—

DATE	DESCRIPTION
—	—

PROJ.	SHEET
—	1 OF 1