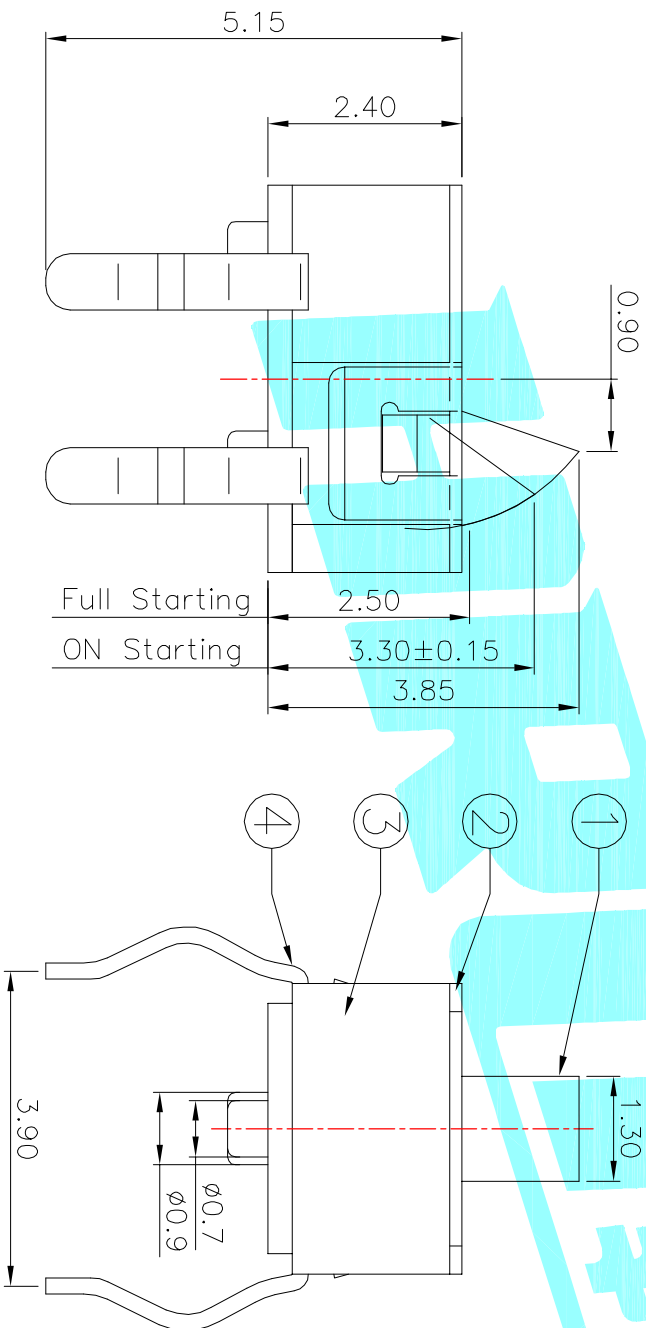
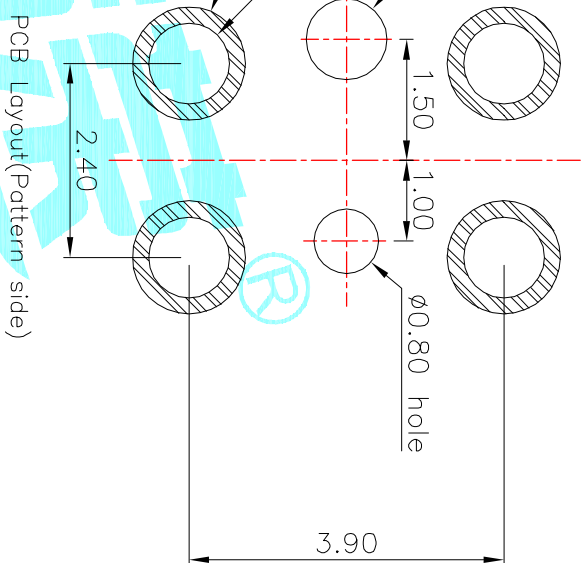


NOTE:
 Rating: DC 30V 0.1A
 Operating Force: $30 \pm 10gf$
 Lifetime: 100,000 Cycles



ITEM	PART NAME	TER'NO.	QTY.	MATERIAL	FINISHING	REMARK
⑤	Contact Spring	—	1	Be Alloy	Ag Plated	—
④	Terminal	—	4	Phosphor Bronze	Ag Plated	—
③	Base	—	1	LCP	Black	—
②	Cover	—	1	SUS	Natural	—
①	Slider	—	1	PA46	Black	—

APPROVALS	DATE
DRAWN J.X.Zhong	2016/7/21

TOLERANCES ARE	±0.30	±0.20	±0.15	±2'
30~12.5	10~30	5~10	~5	

PART NO.	TER'NO.	QTY.	MATERIAL	FINISHING	REMARK
K5-1215DA-01	—	—	—	—	—
K5-1215DN-01	—	—	—	—	—

ECN NO.	REV.	DATE.	DESCRIPTION.	CHANGE.	CHECK.	APPRO.
—	A	—	NEW	—	—	—

TITLE:	DETECTOR SWITCHS
PART NO.	K5-1215D□-□□
SCALE:	1:1
PROJ:	—
SHEET	1 OF 1