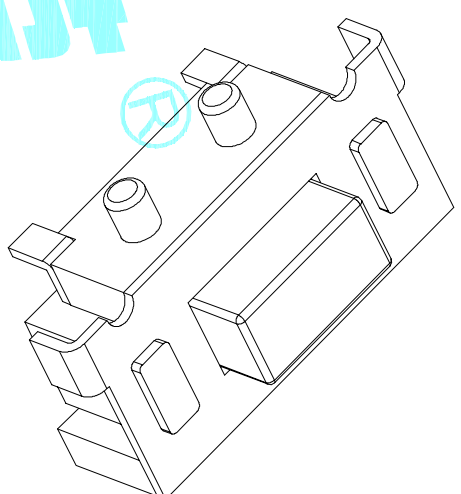


PCB Layout recommended

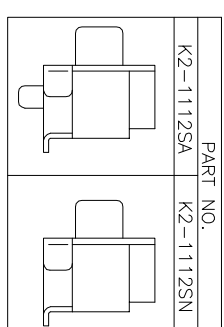
Circuit diagram



| NO.1 | |
|---------|--------|
| PART NO | vigor |
| 1 | 90±30 |
| 2 | 130±30 |
| 3 | 180±30 |
| 4 | 250±30 |
| 5 | 350±50 |

| NO.3-NO.4 | |
|-----------|---------------|
| PART NO | NOTE |
| 01~99 | SERIAL NUMBER |

| NO.2 | |
|---------|--------------|
| PART NO | MATERIAL/QTY |
| S | SUS/1PC |
| D | SUS/2PCS |



| ITEM | PART NAME | TER'NO. | QTY. | MATERIAL | FINISHING | REMARK |
|------|-----------|---------|------|-----------------|----------------|--------|
| ⑤ | Terminal | — | 2 | Phosphor Bronze | Plating silver | — |
| ④ | Contact | — | 2 | F.Ag/SUS | Natural | — |
| ③ | Base | — | 1 | LCP | White | — |
| ② | Cover | — | 1 | Brass(0.20t) | Plating Nickel | — |
| ① | Keystroke | — | 1 | LCP | Black | — |

| APPROVALS | | DATE |
|-----------|----------|-----------|
| DRAWN | JKUN.LLU | 2015.3.28 |

| CHECKED | | TITLE: | |
|----------------|-------|--------------|-------------------|
| APPROVALS | | TACT SWITCHS | |
| TOLERANCES ARE | | PART NO. | K2-1112SD-ADDW-00 |
| 30~12.5 | ±0.30 | SCALE: | 1:1 |
| 10~30 | ±0.20 | DRAWING NO. | |
| 5~10 | ±0.15 | | |
| ~5 | ±0.10 | | |

| ECON NO. | REV. | DATE. | DESCRIPTION. | CHANGE. | CHECK. | APPRO. |
|----------|------|-------|--------------|---------|--------|--------|
| | A | | NEW | | | |



HAKO ELECTRONICS CO., LTD