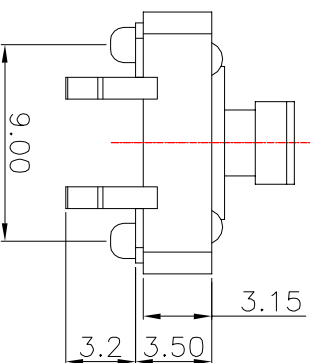
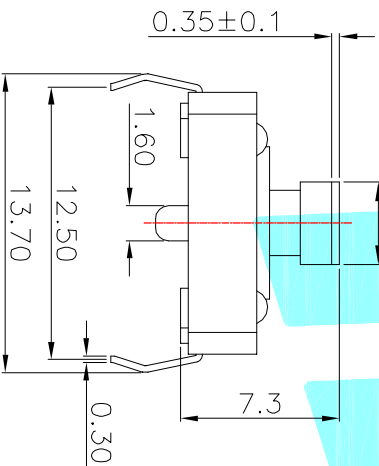


PCB Layout(Pattern side)

Circuit Diagram



NO.1	
PART NO	vigor
1	90±30
2	130±30
3	180±30
4	250±30
5	350±50

NO.2	
PART NO	MATERIAL/QTY
S	SUS/1PC
C	C5210/1PC
D	SUS/2PCS
F	C5210/2PCS

NO.3-NO.4	
PART NO	NOTE
01~99	SERIAL NUMBER

ITEM	PART NAME	TER'NO.	QTY.	MATERIAL	FINISHING	REMARK
⑤	Terminal	—	4	Brass(0.3t)	Plating silver	—
④	Contact	—	1	F.Ag/C5210	—	—
③	Base	—	1	Nylon	Black	UL94V-0
②	Cover	—	1	SPCC/Bross	Plating Sn	—
①	Keystoke	—	1	Nylon	Black	UL94V-0

APPROVALS		DATE	
DRAWN	J.X.Zhang	DATE	2014/2/18

CHECKED		TITLE:	
APPROVALS		PART NO.	TACT SWITCHS
TOLERANCES ARE	30~12.5 ± 10~30 ±0.20 5~10 ±0.15 ~5 ±0.10	ANGLE	SCALE: 1:1
		UNIT: mm	PROJ:
		DRAWING NO.	SHEET 1 OF 1

ECN NO.	REV.	DATE.	DESCRIPTION.	CHANGE.	CHECK.	APPRO.
	A		NEW			



ELECTRONICS CO.,LTD