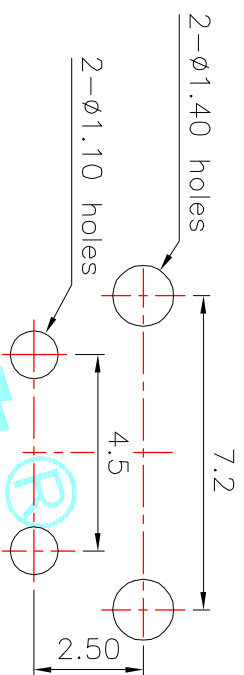
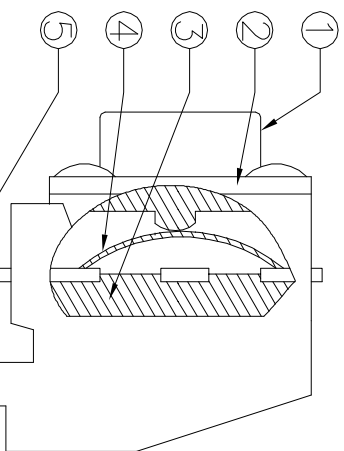
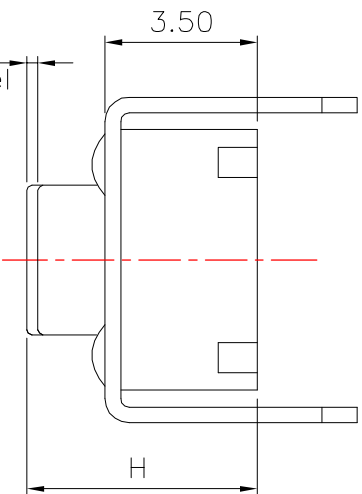
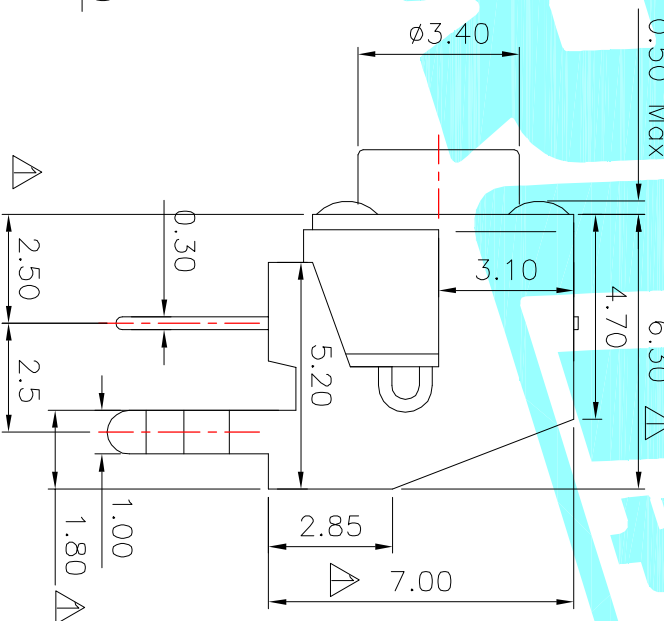
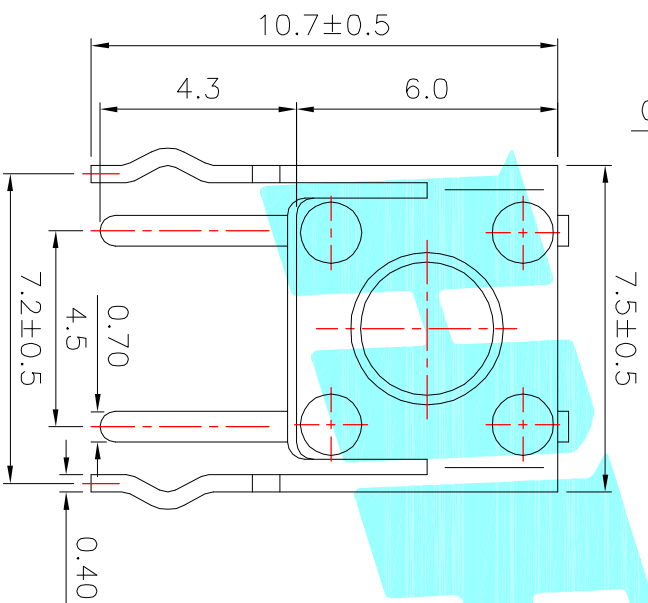




Circuit Diagram



PCB Layout (Pattern side)



PART NO.		NO.1	
A	B	C	D
H	4.3	0	H
A	4.3	P	11
B	4.5	Q	11.5
C	5	R	12
D	5.5	S	12.5
E	6	T	13
F	6.5	U	13.5
G	7	V	14
H	7.5	W	15
I	8	X	16
J	8.5	Y	17
K	9	Z	18
L	9.5		19
M	10		15.5
N	10.5		

NO.2	
PART NO	vigor
1	90±30
2	130±30
3	180±30
4	250±30
5	350±50

NO.3	
PART NO	MATERIAL/QTY
S	SUS/1PC
C	C5210/1PC
D	SUS/2PCS
F	C5210/2PCS

NO.4-NO.5	
PART NO	NOTE
01~99	SERIAL NUMBER

⑤	Terminal	—	4	Brass(0.30)	Plating silver	—
④	Contact	—	1	FAg/SUS	—	—
③	Base	—	1	Nylon	Black	—
②	Cover	—	1	SPCC	Plating Nickel	—
①	Keystroke	—	1	PA46	Black	—
ITEM	PART NAME	TER'NO.	QTY.	MATERIAL	FINISHING	REMARK

APPROVALS		DATE	
DRAWN	J.X.Zhang	DATE	2016/6/25

CHECKED		TITLE:	
APPROVALS		TACT SWITCHS	
TOLERANCES ARE		PART NO.	K2-1102AQ-□□□□
30~12.5	±0.30	SCALE:	1:1
10~30	±0.20	UNIT:	mm
5~10	±0.15	DRAWING NO.	
~5	±0.10	SHEET	1 OF 1

ECN NO.	REV.	DATE.	DESCRIPTION.	CHANGE.	CHECK.	APPRO.
	B		NEW			
	A					